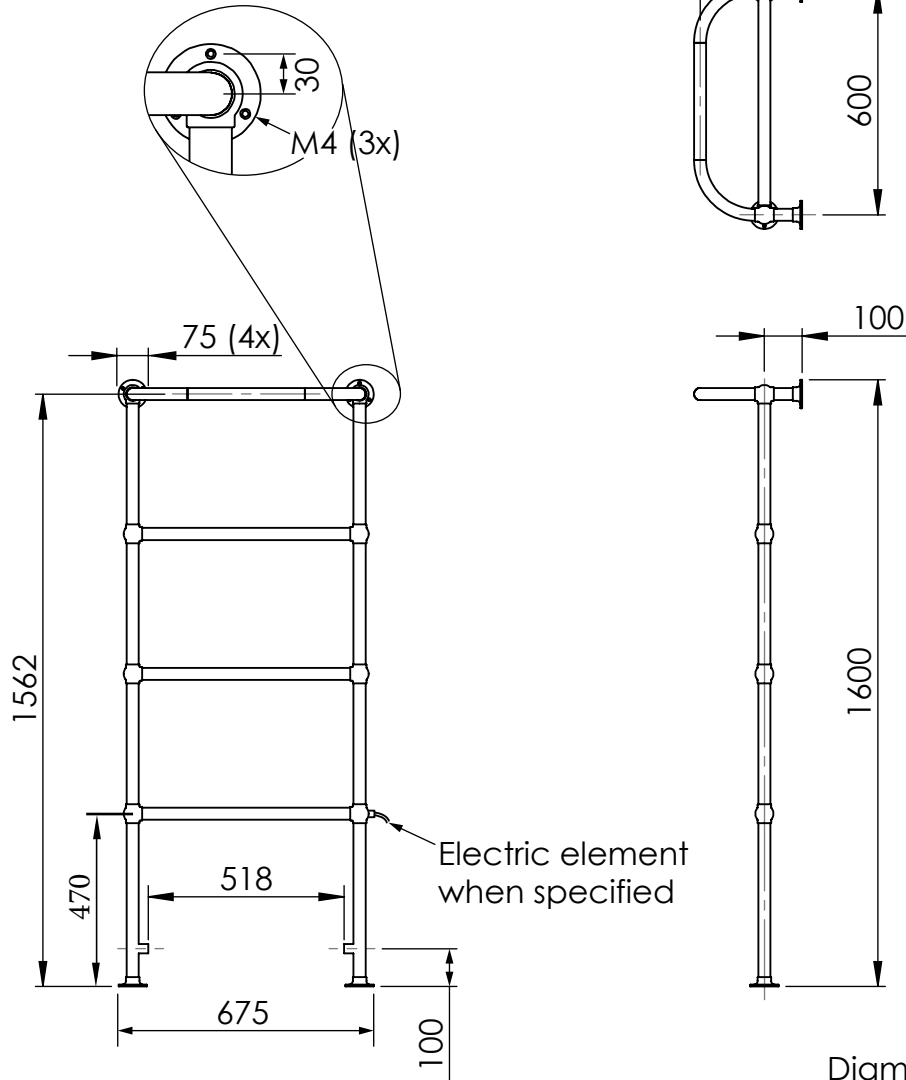




# The Ballet



Electric version, external control required (not included). No integrated on/off switch.



Diameter buis is 25, 50 mm

|   |                      |
|---|----------------------|
| Art: <b>RA.BL</b>   | Tolerance: $\pm 2\%$ |
| Material: Brass   | Scale: 1/20          |
| Output@60°C: 380W/ Electric 200W  | Box size:            |
| Finish: Chrome, Nickel, Brushed nickel, Gold, Polished brass, Old brass | Weight:              |

This drawing is property of Kenny&Mason, it may not be reproduced or transmitted to third parties without authorization. Drawings not to scale - All dimintions are nominal (mm) - We reserve the right to alter specifications without notice.

Last review: April 2026