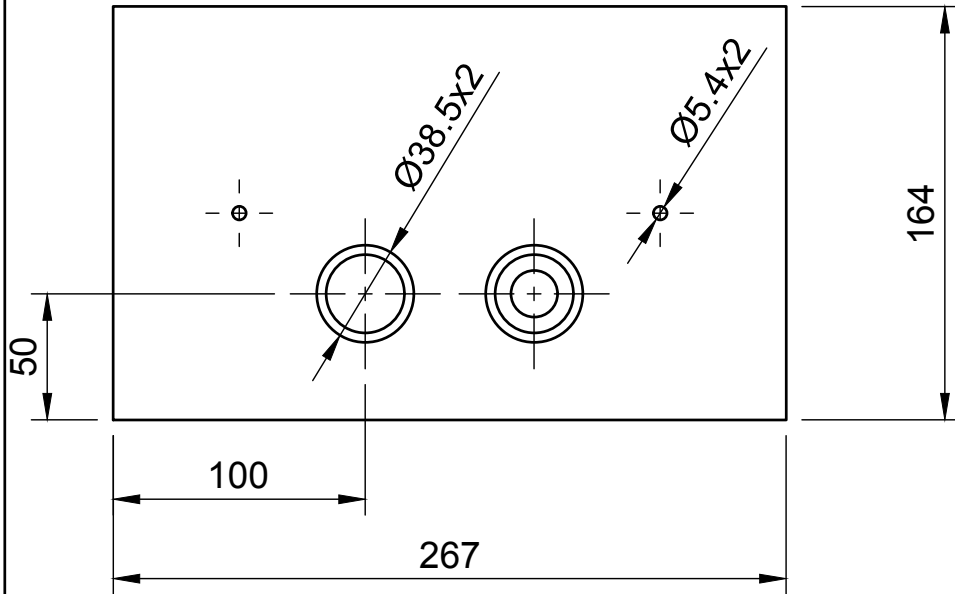


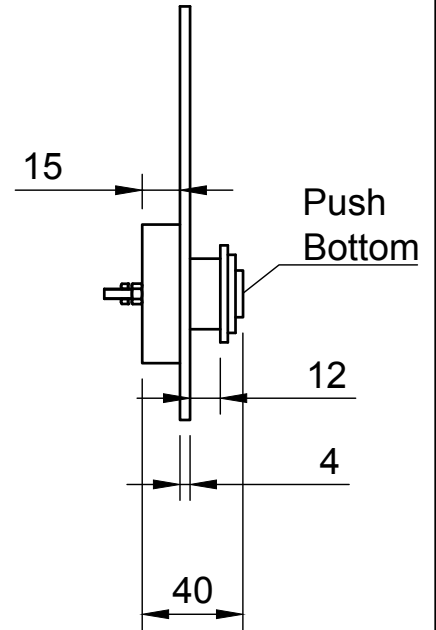


Push Plate Straight

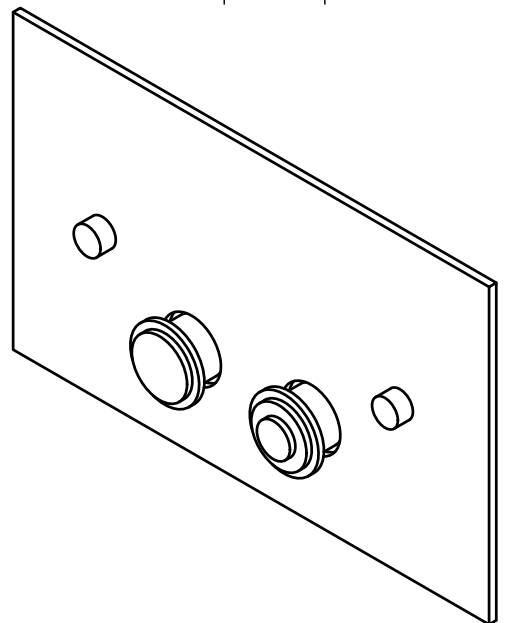
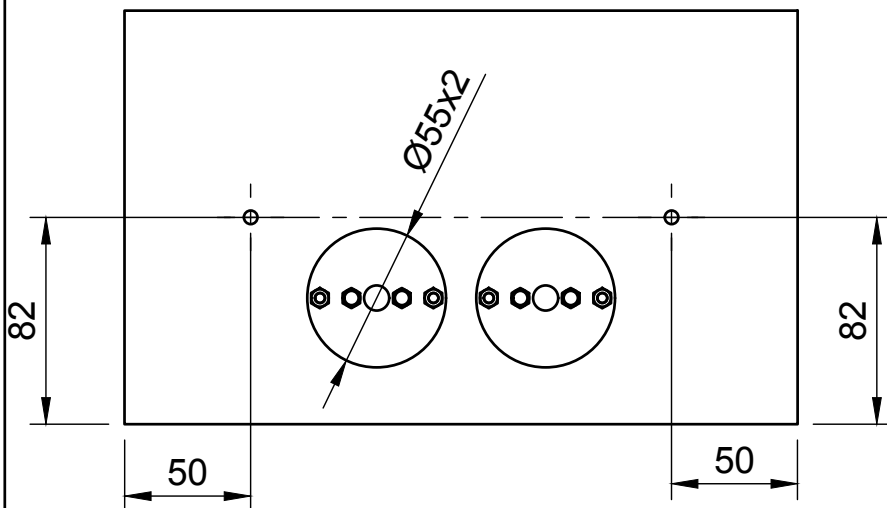
Front



Left - side



Back



Article: NGT645

Tolerance: 2%

Material: Brass

Scale: 1:3

Finish: Chrome, Nickel, Brushed Nickel, Gold
Polished brass, Old brass

Box size: L x W x H cm

Weight: Kg

This drawing is property of Kenny&Mason, it may not be reproduced or transmitted to third parties without authorization.
Drawings not to scale - All dimensions are nominal (mm) - We reserve the right to alter specifications without notice.

Last review: DEC 2025

www.Kenny-mason.com

Sheet: 1/1