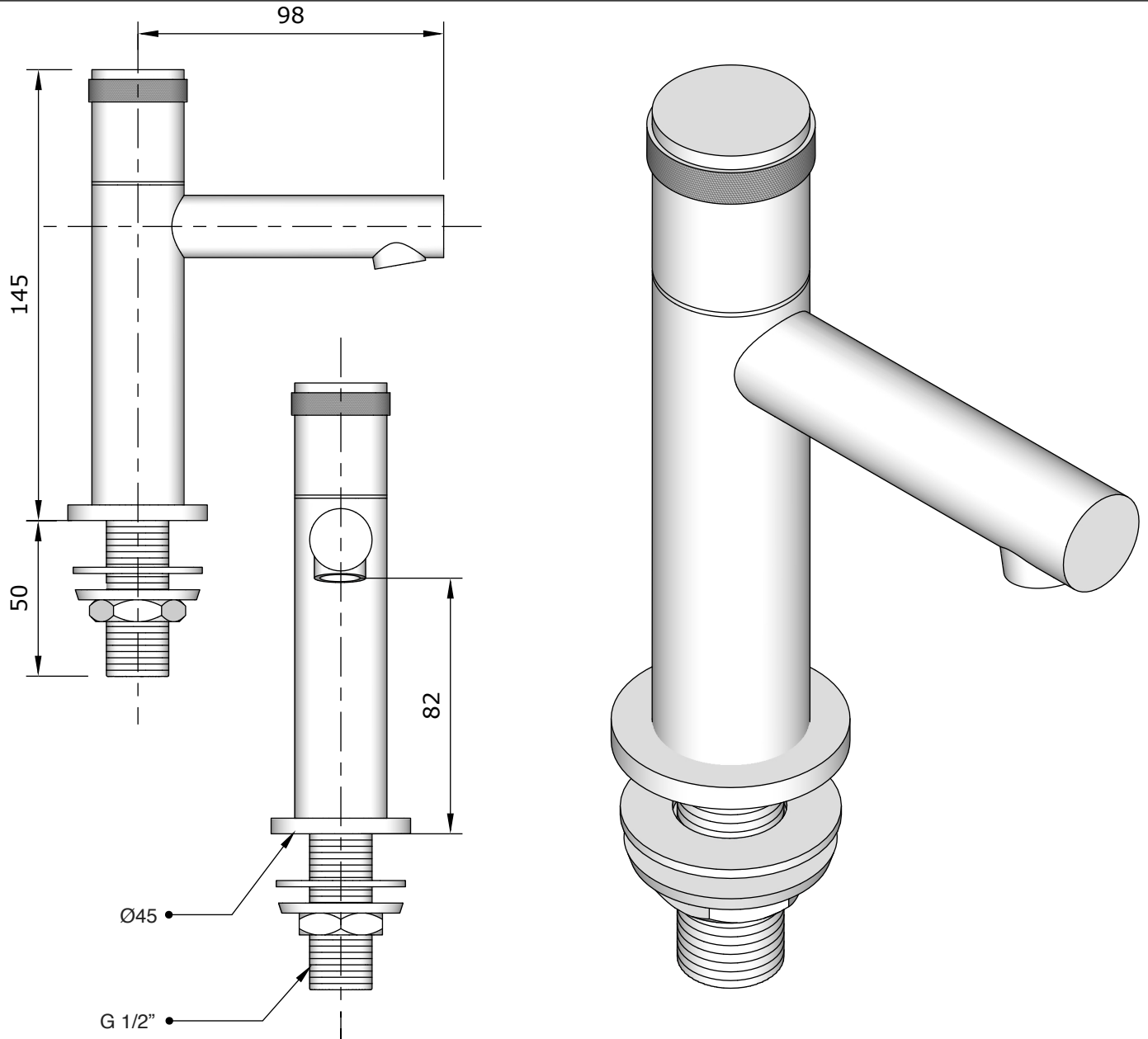




Brandwood cloakroom Mixer



Art: NGT3000	Tolerance: +- 2%
Material: Brass	Scale: 1:2
Finish: Chrome, Nickel, Brushed nickel, Gold. Polished brass, Old brass and black.	Box size:
	Weight:
<small>This drawing is property of Kenny&Mason, it may not be reproduced or transmitted to third parties without authorization. Drawings not to scale - All dimentions are nominal (mm) - We reserve the right to alter specifications without notice.</small>	
www.Kenny-mason.com	
<small>Last review: Februari 2020</small>	
<small>Sheet : 1of 1</small>	