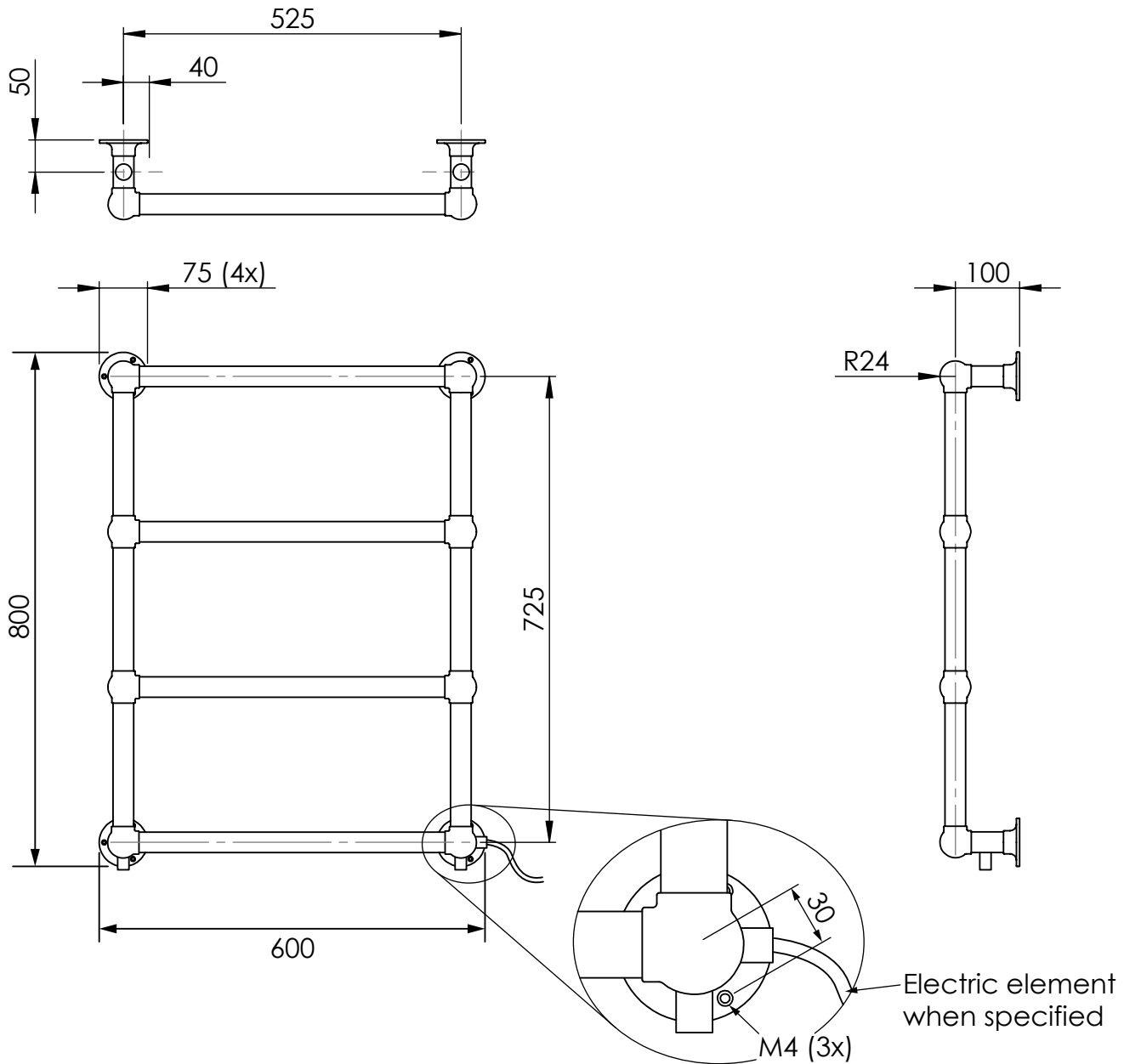




The Oxford



Art: **RA.OX**

Tolerance: $\pm 2\%$

Material: Brass

Scale: 1/10

Output@60°C: 260W/ Electric 150W

Box size:

Finish: Chrome, Nickel, Brushed nickel,
Gold, Polished brass, Old brass

Weight:

This drawing is property of Kenny&Mason, it may not be reproduced or transmitted to third parties without authorization.
Drawings not to scale - All dimensions are nominal (mm) - We reserve the right to alter specifications without notice.

Last review: August 2014

www.kenny-mason.com



SHEET 1 OF 1