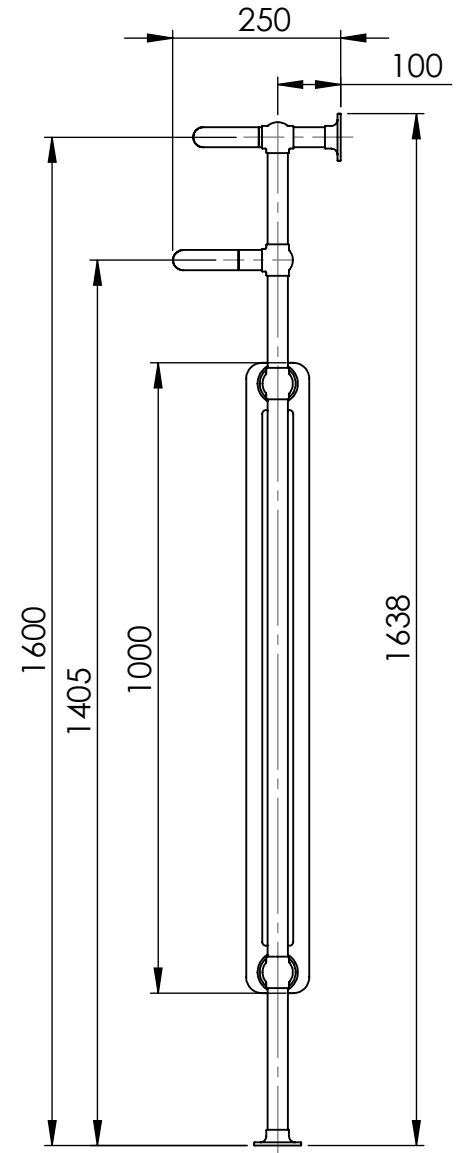
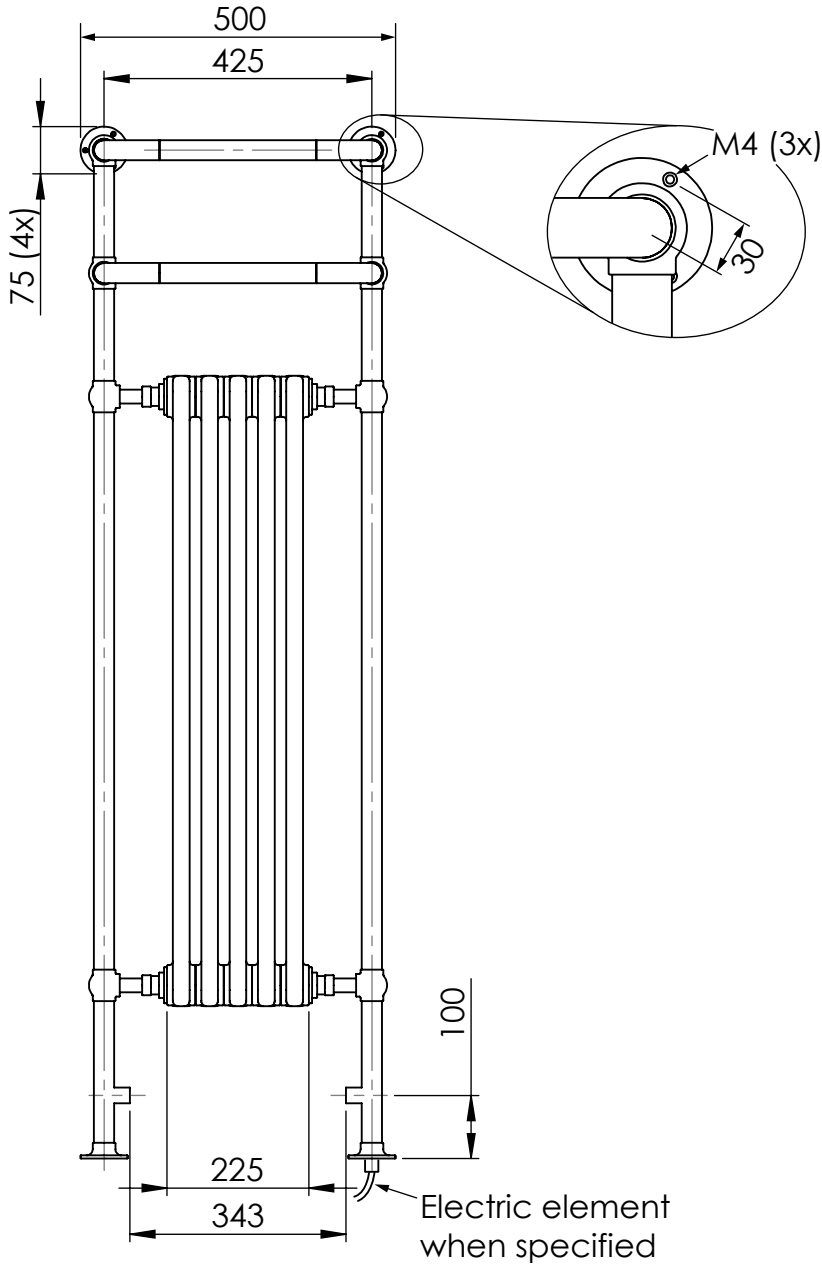




# The Duke



Diameter buis is 25, 50 mm

Art: <b>RA.DU</b>	Tolerance: $\pm 2\%$
Material: Brass	Scale: 1/12
Output@60°C: 875W/ Electric 400W	Box size:
Finish: Chrome, Nickel, Brushed nickel, Gold, Polished brass, Old brass	Weight:

This drawing is property of Kenny&Mason, it may not be reproduced or transmitted to third parties without authorization. Drawings not to scale - All dimintions are nominal (mm) - We reserve the right to alter specifications without notice.

Last review: August 2014