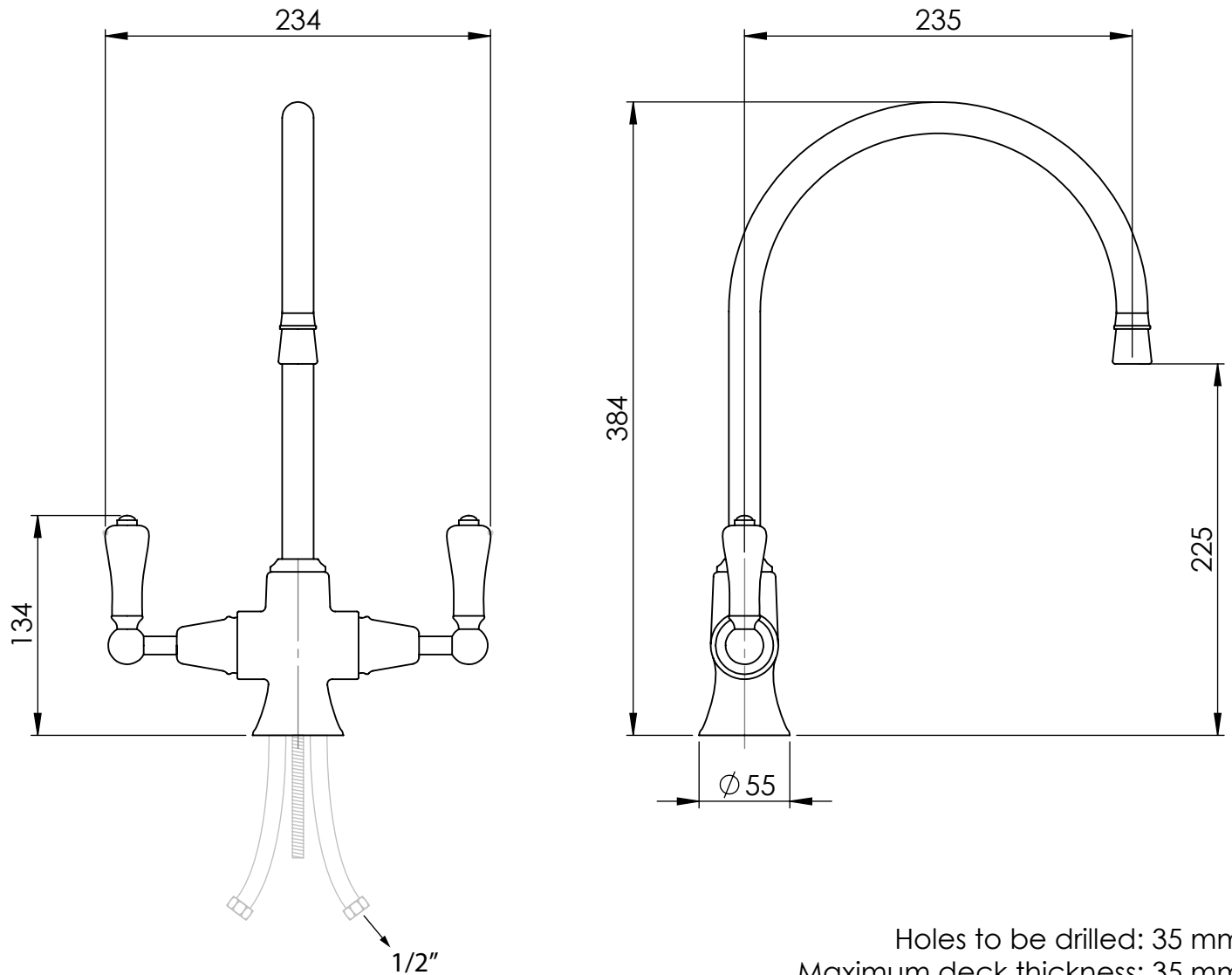




Block kitchen mixer



Holes to be drilled: 35 mm
Maximum deck thickness: 35 mm

Art: NGT1037	Tolerance: $\pm 2\%$
Material: Brass	Scale: 1/4
Finish: Chrome, Nickel, Brushed nickel, Gold, Polished brass, Old brass	Box size:
	Weight:

This drawing is property of Kenny&Mason, it may not be reproduced or transmitted to third parties without authorization. Drawings not to scale - All dimintions are nominal (mm) - We reserve the right to alter specifications without notice.

Last review: August 2014