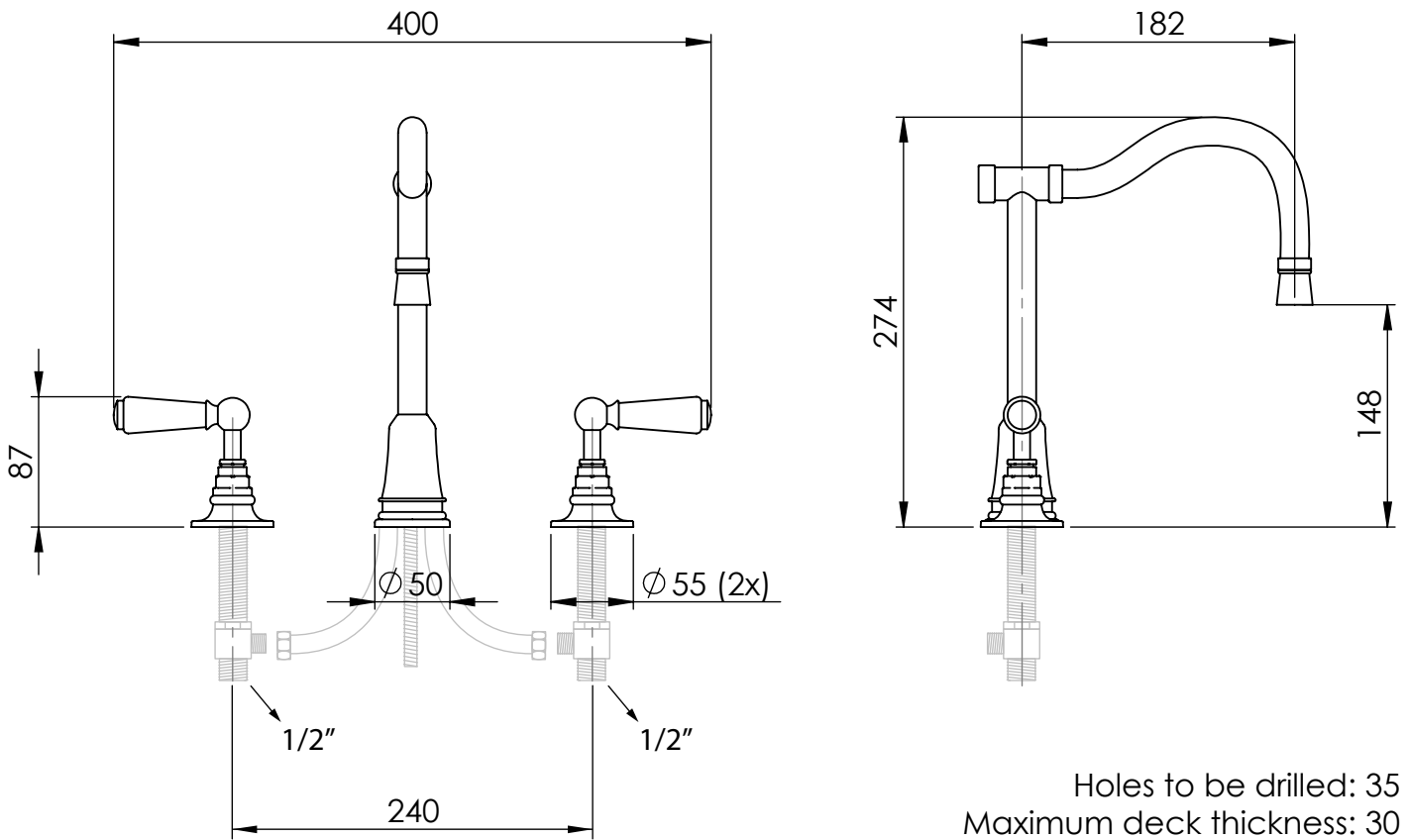




3-hole kitchen mixer - French spout



Art: **NGT1015FR**

Tolerance: $\pm 2\%$

Material:
Brass

Scale: 1/5

Finish:
Chrome, Nickel, Brushed nickel,
Gold, Polished brass, Old brass

Box size:

Weight:

This drawing is property of Kenny&Mason, it may not be reproduced or transmitted to third parties without authorization. Drawings not to scale - All dimensions are nominal (mm) - We reserve the right to alter specifications without notice.

Last review: August 2014

www.kenny-mason.com

