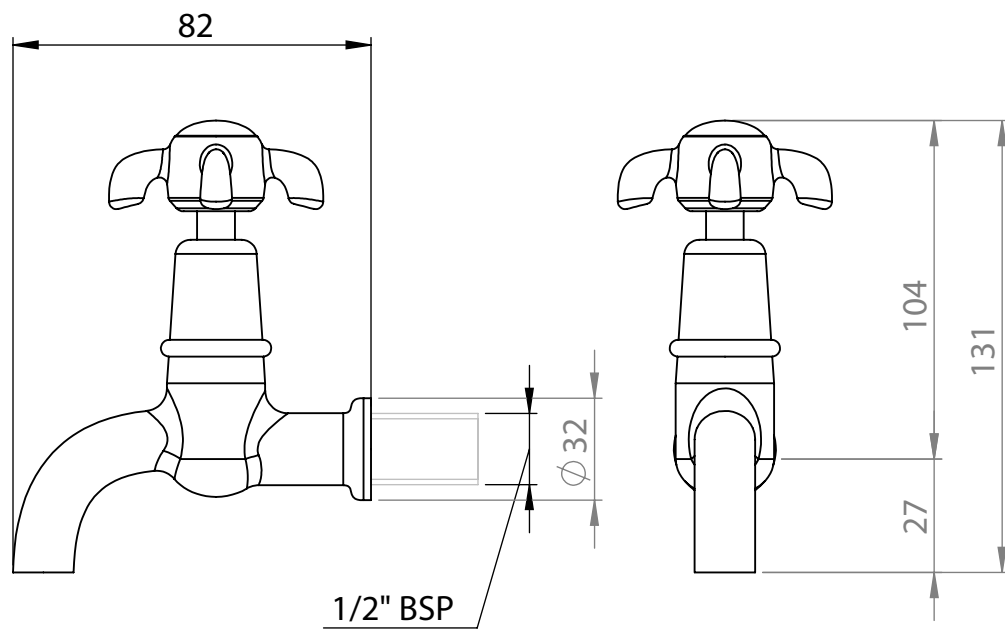




Bibcock tap



Art: NGT1004	Tolerance: $\pm 2\%$
Material: Brass	Scale: 1/2
Finish: Chrome, Nickel, Brushed nickel, Gold, Polished brass, Old brass	Box size: Weight:

This drawing is property of Kenny&Mason, it may not be reproduced or transmitted to third parties without authorization.
Drawings not to scale - All dimintions are nominal (mm) - We reserve the right to alter specifications without notice.

Last review: August 2014